



CABINET HARDWARE SYSTEMS

CONCEALED HINGE SYSTEMS

#CHS

CONCEALED HINGE SYSTEMS

CONTENTS

▪ OMNIA L Hinge range	04
▪ Easy to install.....	05
▪ OMNIA L 105°	07
▪ OMNIA L special application hinges.....	09
▪ OMNIAL 155° hinges	11
▪ OMNIA L for corner cabinet 90° (bifold).....	13
▪ OMNIA L mounting plates for 110° , 45° , 155° blind corner and Bifold hinges.....	15
▪ FGV OneTouch push-to-open device	16
▪ FGV Limited Lifetime Warranty	17
▪ HELIOS 105° HINGE.....	19
▪ HELIOS 165° CORNER HINGE	20
▪ HELIOS MOUNTING PLATES	21
▪ HELIOS ASSEMBLY	22

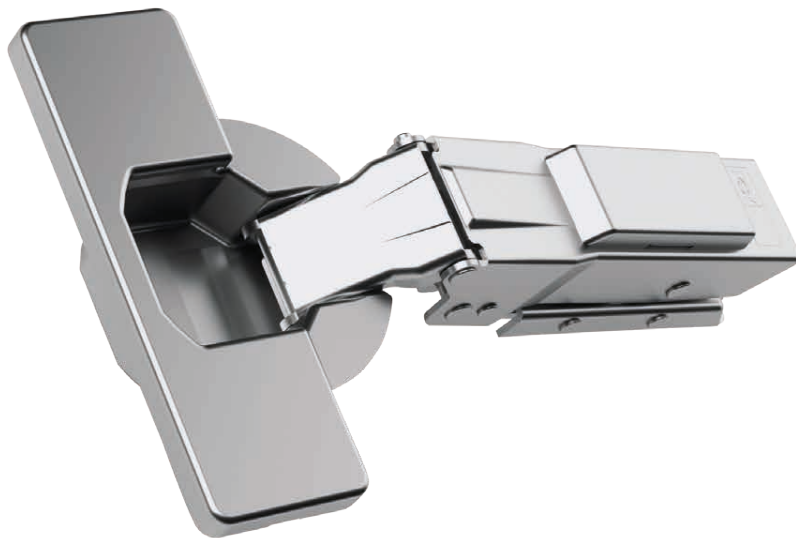
CONCEALED HINGE SYSTEMS



FGV - Formenti & Giovenzana is proudly Italian and specialises in functional solutions for cabinets and furniture to meet the needs of customers in Europe and across the globe. With more than 280 million hinges manufactured, FGV is one of the leading hinge manufacturers in the world.

Their goal is to “to ensure that the use of furniture is intuitive, practical and overall pleasant” and with that demonstrate “that good furniture can contribute to improve end consumers’ quality of life”.

The new OMNIA L SlowMotion range is the culmination of FGV’s engineering expertise and does exactly that by improving on many of the perceived shortcomings of hinge systems available today.



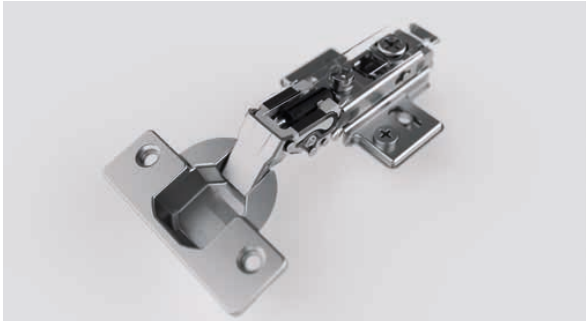
CONCEALED HINGE SYSTEMS

OMNIA L HINGE SYSTEM



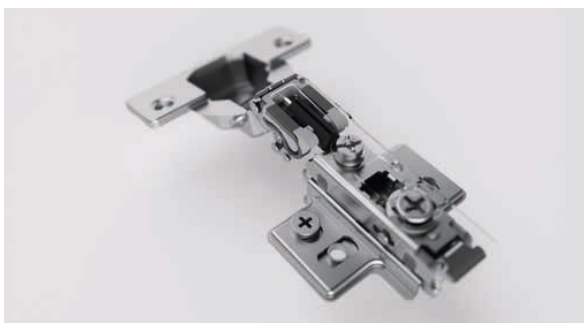
OMNIA L HINGE RANGE

The Omnia L SlowMotion hinge is the new top product of the FGV's offer originates from the research and the experience built up in over 70 years of presence in the field. Equipped with a state-of-the-art Linear SlowMotion Technology, it ensures stable and constant operation in all conditions of use. Produced in Italy it boosts all the best features and performances required by the market of damped systems.



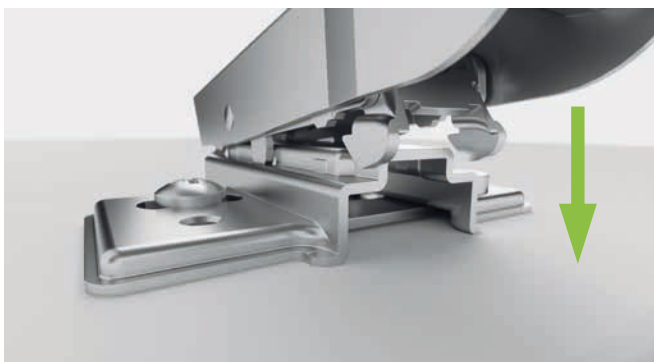
ALL THE BENEFITS FROM THE LINEAR SLOWMOTION

State-of-the-art Linear SlowMotion Technology, for a perfect damped closure in every condition, based on stable shock absorber at all high and low temperatures, adaptive controlled movement without manual adjustments, 25° of smooth braking to avoid door rebound.



CONCEALED HINGE SYSTEMS

OMNIA L HINGE SYSTEM



NEVER SO EASY TO HANG A DOOR!

No limits to door dimensions and to hinge numbers. AnyClickSystem an intelligent and practical solution to fit the hinges in any position without any stress.

A really fantastic simplification for the wardrobe doors.

► Easy to install

The OMNIA L range is offered as 105° across all major drilling patterns, in the most relevant cranks.

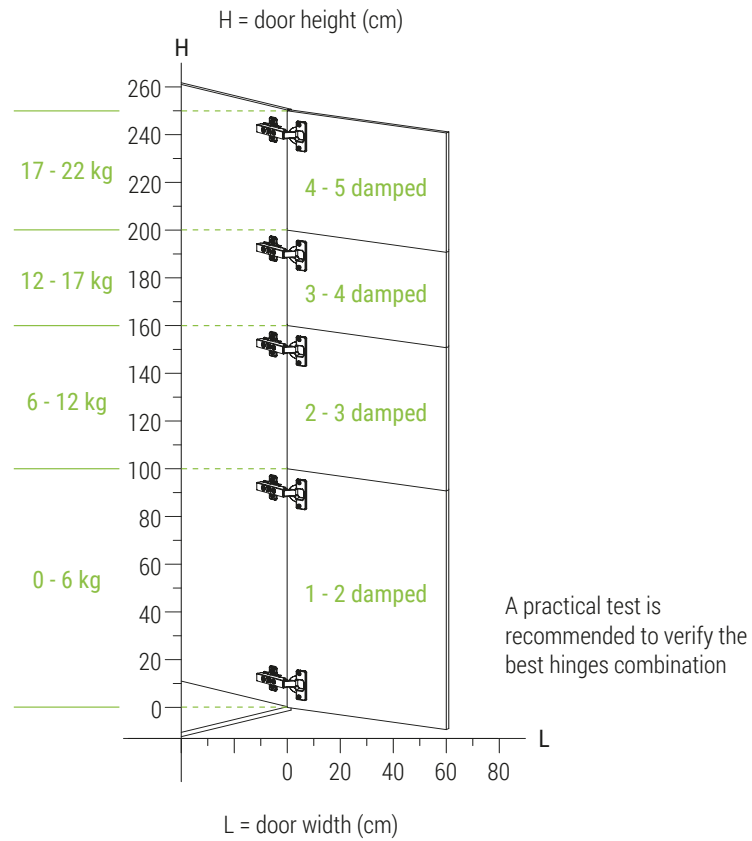
In addition to a screw-fix and the default installation option of a knock-in dowel, select OMNIA L hinges are available with FGV's quarter-turn Velofix dowel that enables locking the hinge into position effortlessly with a simple flick of the wrist.

Mounting plates are exclusively offered as CAM adjustable (screw-fix or with pre-mounted Euro screw) to enable independent 3D alignment. The reversible design of the mounting plate makes installation fast, simple, precise, and intuitive.

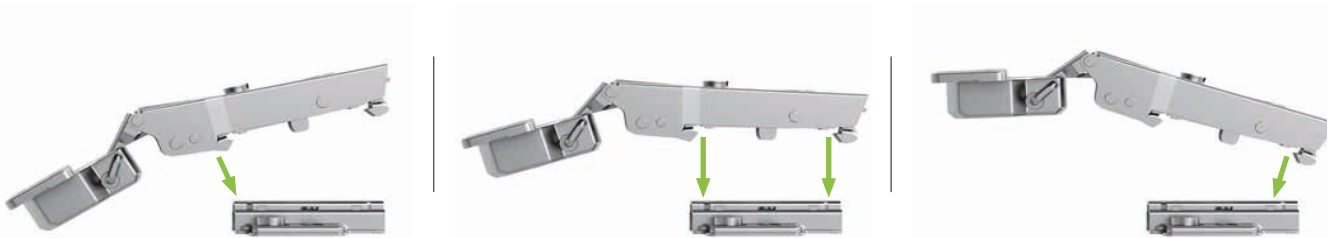


CONCEALED HINGE SYSTEMS

OMNIA L HINGE SYSTEM



ANYCLICKSYSTEM



For an easy and quick fitting in any position.

ADJUSTING SYSTEM



Depth adjustment
Acting on the "A" screw it is possible to adjust the distance between the side of the cabinet and the door.



Independent side adjustment
Acting on the "B" screw it is possible to change the amount of the door covering on the side of the cabinet.



Vertical adjustment
Acting on the "C" screw of the mounting plate it is possible to adjust the door vertically.

CONCEALED HINGE SYSTEMS

OMNIA L HINGE SYSTEM



► OMNIA L 105°

- Depth of the metal cup 11.4 mm
- Cup diameter 35 mm
- Opening 105°
- Possibility of door drilling (K) from 3 to 7 mm
- Thickness of the door (T) from 14 to 26 mm Available with cup hole distance I.48, A.45, D.52 C.
- Available fixing systems with; screw-fix, knock-in dowel and velofix



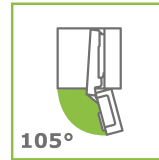
LINEAR DAMPER



NO REBOUND



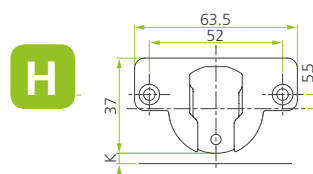
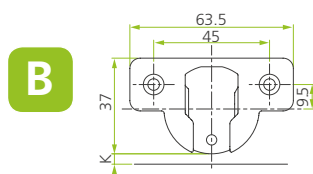
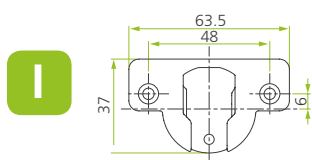
ANYCLICK SYSTEM



105°

OPENING

		CLOSING TYPE	FIXING TYPE		
			SCREW-FIX	KNOCK-IN	VELO-FIX
I-PATTERN 48/6MM	Crank 0 Full overlay	STANDARD	OMNL.48.105.STD.0.SF	OMNL.48.105.STD.0.KI	OMNL.48.105.STD.0.VF
		SOFT-CLOSE	OMNL.48.105.SCL.0.SF	OMNL.48.105.SCL.0.KI	OMNL.48.105.SCL.0.VF
	Crank 8 Half overlay	STANDARD		OMNL.48.105.STD.8.KI	
		SOFT-CLOSE	OMNL.48.105.SCL.8.SF	OMNL.48.105.SCL.8.KI	
	Crank 15 Inset	STANDARD		OMNL.48.105.STD.15.KI	
		SOFT-CLOSE	OMNL.48.105.SCL.15.SF		OMNL.48.105.SCL.15.VF
B-PATTERN 45/9.5MM	Crank 0 Full overlay	STANDARD		OMNL.45.105.STD.0.KI	OMNL.45.105.STD.0.VF
		SOFT-CLOSE		OMNL.45.105.SCL.0.KI	OMNL.45.105.SCL.0.VF
H-PATTERN 52/5.5MM	Crank 0 Full overlay	STANDARD			OMNL.52.105.STD.0.VF
		SOFT-CLOSE			OMNL.52.105.SCL.0.VF



STD = STANDARD
SCL = SOFT CLOSE

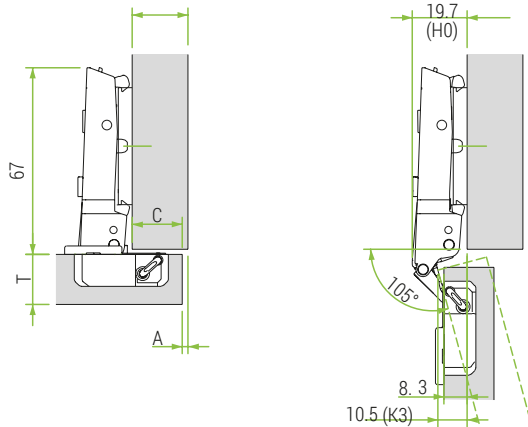
SF = SCREW-FIX
KI = KNOCK-IN
VF = VELO-FIX

I, H = DOWELS 10MM
B = DOWELS 8MM

CONCEALED HINGE SYSTEMS

OMNIA L HINGE SYSTEM

CRANK 0 Full overlay doors

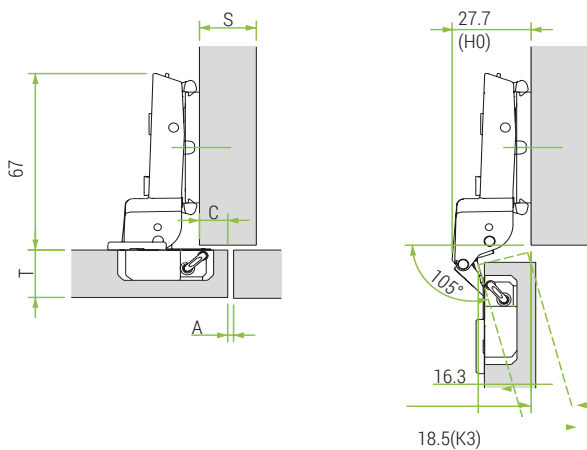


Omnia L 105°

H*	Drilling distance (k)				
	3	4	5	6	7
19				0	
18			0		2
17		0		2	
16	0		2		4
15		2		4	
14	2		4		6
13		4		6	
12	4		6		
11		6			
10	6				

* = with H between two values get the lower one

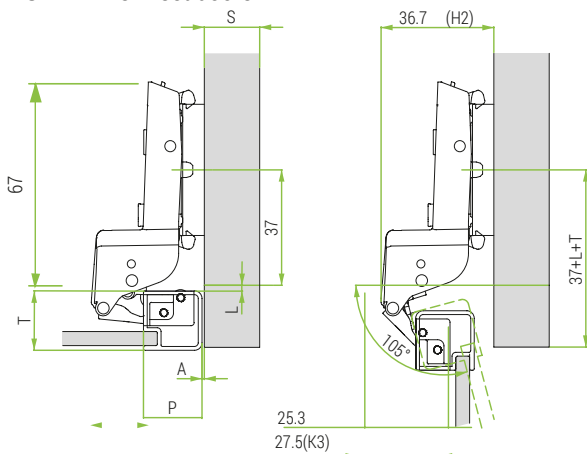
CRANK 8 Half overlay doors



H*	Drilling distance (k)				
	3	4	5	6	7
11				0	
10			0		2
9		0		2	
8	0		2		4
7		2		4	
6	2		4		6
5		4		6	
4	4		6		
3		6			
2	6				

* = with H between two values get the lower one

CRANK 15 Inset doors



H*	Drilling distance (k)				
	3	4	5	6	7
1	0		2		4
0		2		4	
-1	2		4		6
-2		4		6	
-3	4		6		
-4		6			
-5					
-6					
-7					
-8					

* = with H between two values get the lower one

Table to determinate the minimum distance A so that a door with T thickness can open without protrusion from the cabinet and without interfering with adjacent doors.

T=	14	15	16	17	18	19	20	21	22	23	24	25	26
K=3 A=	0.1	0.2	0.3	0.4	0.5	0.7	0.8	1	1.2	2	3.2	4.5	5.8
K=4 A=	0.1	0.2	0.3	0.4	0.5	0.6	0.8	1	1.2	1.4	2.2	3.5	4.9
K=5 A=	0.1	0.2	0.3	0.3	0.5	0.6	0.8	1	1.2	1.4	1.6	2.5	3.8
K=6 A=	0.1	0.2	0.3	0.3	0.5	0.6	0.8	1	1.2	1.4	1.6	1.9	2.8
K=7 A=	0.1	0.2	0.3	0.3	0.5	0.6	0.8	1	1.2	1.4	1.6	1.9	2.8

CONCEALED HINGE SYSTEMS

OMNIA L HINGE SYSTEM



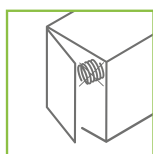
► OMNIA L special application hinges

Solutions for 90° blind corners or 45° corners.

- Depth of the metal cup 11.4mm
- Cup diameter 35mm
- Opening 105°
- Possibility of door drilling (K) from 3 to 7mm
- Thickness of the door (T) from 14 to 26mm
- Require OMNIA L mounting plates with ANYCLICK SYSTEM



LINEAR
DAMPER

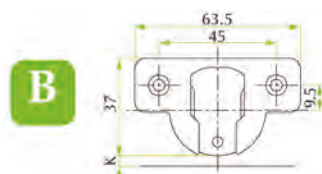
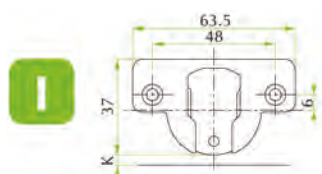


NO REBOUND



ANYCLICK
SYSTEM

			CLOSING TYPE	FIXING TYPE		
				SCREW-FIX	KNOCK-IN	VELO-FIX
I-PATTERN 48/6MM	105° / 90° Blind Corner		STANDARD	OMNL.48.BC.STD.SF		OMNL.48.BC.STD.VF
			SOFT-CLOSE	OMNL.48.BC.SCL.SF		OMNL.48.BC.SCL.VF
	45° Angled Corner		STANDARD			
			SOFT-CLOSE	OMNL.48.45.SCL.0.SF		
B-PATTERN 45/9.5MM	105° / 90° Blind Corner		STANDARD			OMNL.45.BC.STD.VF
			SOFT-CLOSE			OMNL.45.BC.SCL.VF



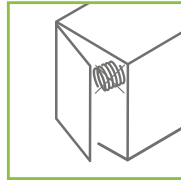
STD = STANDARD
SCL = SOFT CLOSE
SF = SCREW-FIX
KL = KNOCK-IN
VF = VELO-FIX
I = DOWELS 10MM B
= DOWELS 8MM

CONCEALED HINGE SYSTEMS

OMNIA L HINGE SYSTEM



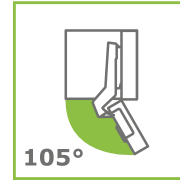
**LINEAR
DAMPER**



NO REBOUND

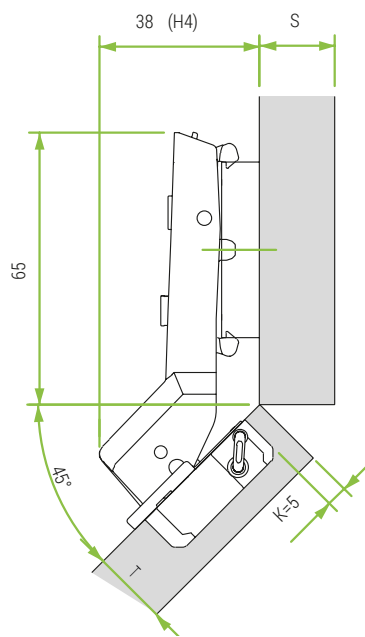


**ANYCLICK
SYSTEM**



**OPENING
105°**

ANGLE 45°



ANGLE 90°

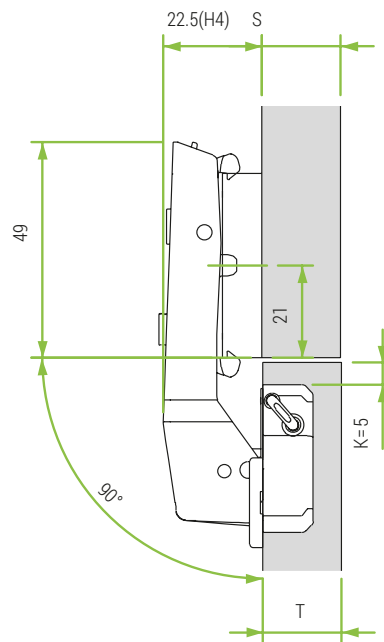
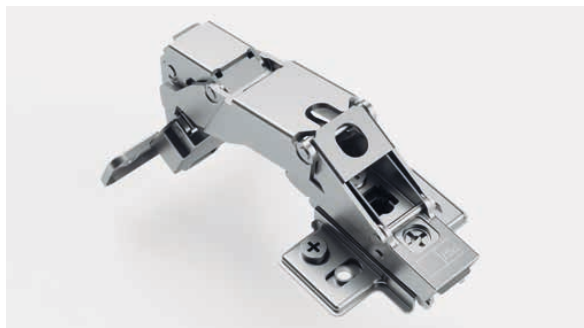


Table to determinate the minimum distance A so that a door with T thickness can open without protrusion from the cabinet and without interfering with adjacent doors.

	T=	14	15	16	17	18	19	20	21	22	23	24	25	26
K=3	A=	0.1	0.2	0.3	0.4	0.5	0.7	0.8	1	1.2	2	3.2	4.5	5.8
K=4	A=	0.1	0.2	0.3	0.4	0.5	0.6	0.8	1	1.2	1.4	2.2	3.5	4.9
K=5	A=	0.1	0.2	0.3	0.3	0.5	0.6	0.8	1	1.2	1.4	1.6	2.5	3.8
K=6	A=	0.1	0.2	0.3	0.3	0.5	0.6	0.8	1	1.2	1.4	1.6	1.9	2.8
K=7	A=	0.1	0.2	0.3	0.3	0.5	0.6	0.8	1	1.2	1.4	1.6	1.9	2.8

CONCEALED HINGE SYSTEMS

OMNIA L HINGE SYSTEM



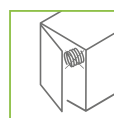
► OMNIA L 155°

Technical Specifications:

- Depth of the metal cup 11.3 mm
- Cup diameter 35 mm
- Opening 155*
- Possibility of door drilling (K) from 3 to 7mm
- Thickness of the door (T) from 14 to 26 mm
- Available with cup hole distance I.48
- Available fixing systems with; screw-fix, knock-in dowel



LINEAR
DAMPER



NO REBOUND

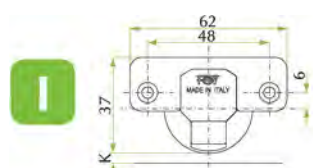


ANYCLICK
SYSTEM



155°
OPENING

			CLOSING TYPE	FIXING TYPE	
				SCREW-FIX	KNOCK-IN
I-PATTERN 48/6MM	155° Corner Hinge		STANDARD	OMNL.48.155.STD.0.SF	OMNL.48.155.STD.0.KI
			SOFT-CLOSE	OMNL.48.155.SCL.0.SF	OMNL.48.155.SCL.0.KI



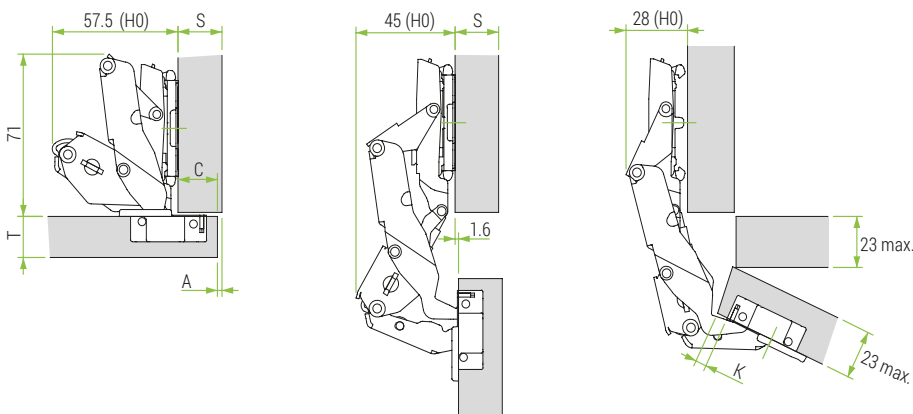
STD = STANDARD
SCL = SOFT CLOSE
SF = SCREW-FIX
KL = KNOCK-IN
I, H = DOWELS 10MM

CONCEALED HINGE SYSTEMS

OMNIA L HINGE SYSTEM

Omnia L 155°

CRANK 0 For full overlay doors



H*	Drilling distance (k)					
	3	4	5	6	7	
Overlay (C) Crank 0	19			0		
	18		0		2	
	17		0	2		
	16	0		2	4	
	15		2		4	
	14	2		4		6
	13		4		6	
	12	4		6		
	11		6			
	10	6				

* = with H between two values get the lower one

Table to determinate the minimum distance A so that a door with T thickness can open without protrusion from the cabinet and without interfering with adjacent doors.

T=	14	15	16	17	18	19	20	21	22	23	24	25	26
K=3 A=	0	0	0	0	0	0	0	0	0	0	0	13.7	18
K=4 A=	0	0	0	0	0	0	0	0	0	0	0	12.7	17
K=5 A=	0	0	0	0	0	0	0	0	0	0	7.4	11.7	16
K=6 A=	0	0	0	0	0	0	0	0	0	0	6.4	10.7	15
K=7 A=	0	0	0	0	0	0	0	0	0	0	5.4	9.7	14

CONCEALED HINGE SYSTEMS

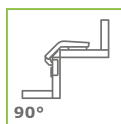
OMNIA L HINGE SYSTEM

Omnia L for corner cabinet 90° (Bifold)





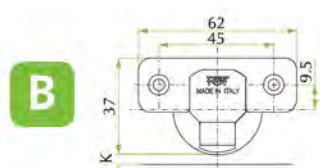
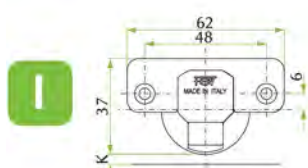
Technical Specifications:

- Depth of the metal cup 11.4 mm
- Cup diameter 35 mm
- Opening 50°
- Possibility of door drilling (K) from 3 to 7 mm
- Thickness of the door (T) from 14 to 26 mm
- Available with cup hole distance I.48, A.45
- Available fixing systems with; screw-fix, knock-in dowel



OPENING

				CLOSING TYPE	FIXING TYPE	
					SCREW-FIX	KNOCK-IN
I-PATTERN 48/6MM	Pie-cut corner (PCC) / bifold		STANDARD	OMNL.48.BIF.PCC.SF	OMNL.48.BIF.PCC.KI	
B-PATTERN 45/9.5MM	Pie-cut corner (PCC) / bifold		STANDARD		OMNL.45.BIF.PCC.KI	

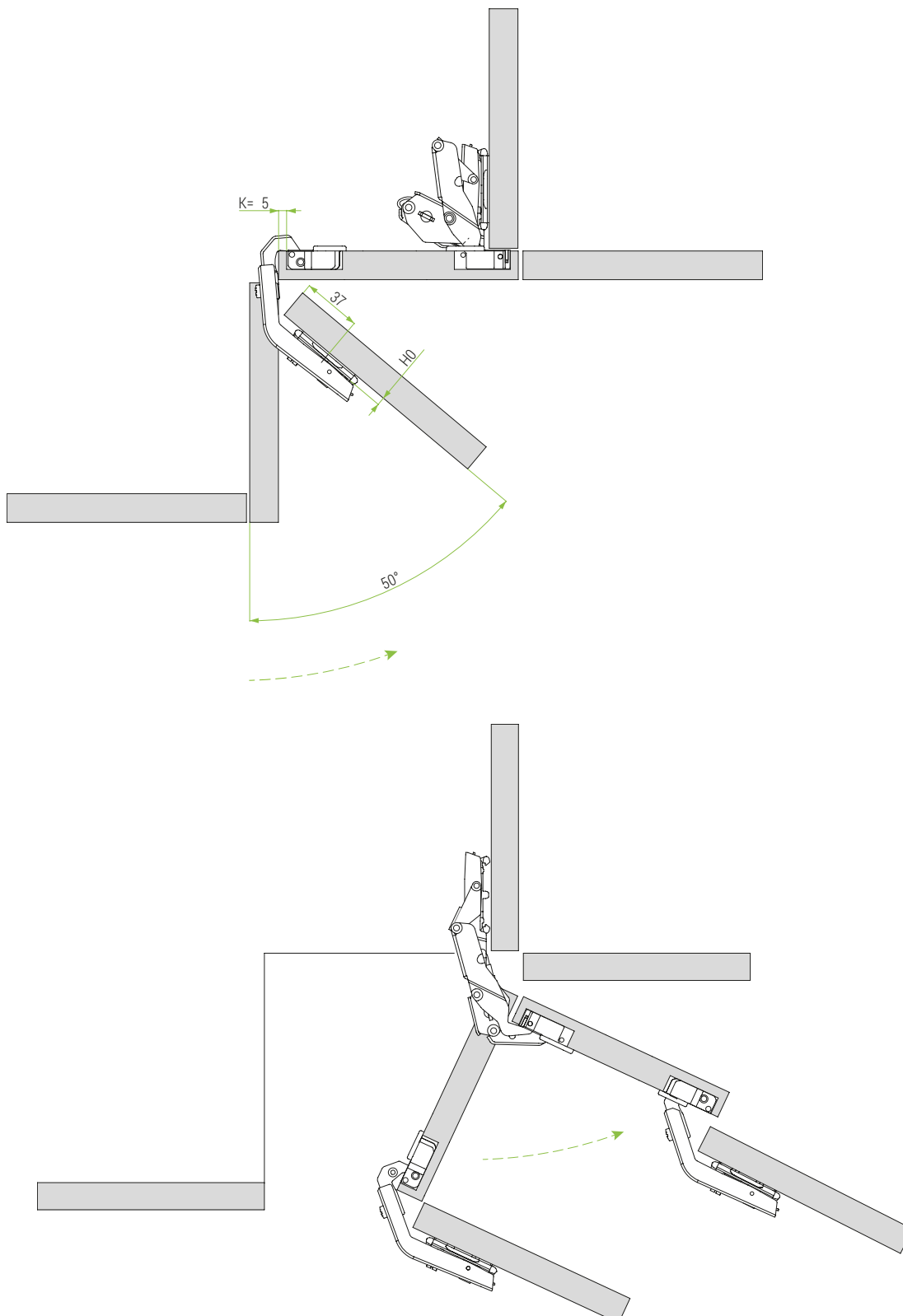


STD = STANDARD
 SCL = SOFT CLOSE
 SF = SCREW-FIX
 KL = KNOCK-IN
 I, H = DOWELS 10MM
 B = DOWELS 8MM

CONCEALED HINGE SYSTEMS

OMNIA L HINGE SYSTEM

Omnia L for corner cabinet 90° (Bifold)



CONCEALED HINGE SYSTEMS

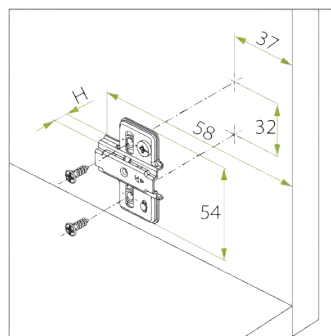
OMNIA L HINGE SYSTEM

► OMNIA L mounting plates for 105° , 45° ,155° , 90° blind corner and Bifold Hinges

Metal cruciform mounting plate for screw fixing. Independent vertical adjustment with Cam.



SCREW-FIX

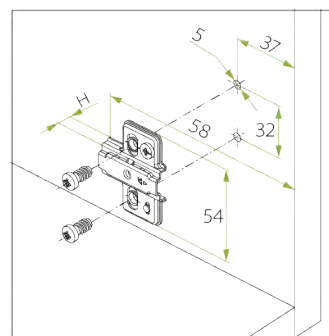


Height	Code
H=0	OMNL.PLT.SCW.CAM.H0
H=2	OMNL.PLT.SCW.CAM.H2
H=4	OMNL.PLT.SCW.CAM.H4

Metal cruciform mounting plate. Euro screws premounted. Independent vertical adjustment with Cam.



PRE-MOUNTED EURO SCREWS



Height	Code
H=0	OMNL.PLT.PME.CAM.H0
H=2	OMNL.PLT.PME.CAM.H2
H=4	OMNL.PLT.PME.CAM.H4

► OMNIA L hinge cup cover cap

Cover cap for OMNIA L hinges (any drilling pattern or fixing type)



Code	Description
OMN.HGE.CCC	Omnia hinge cup cover cap, each

CONCEALED HINGE SYSTEMS

PUSH-TO-OPEN



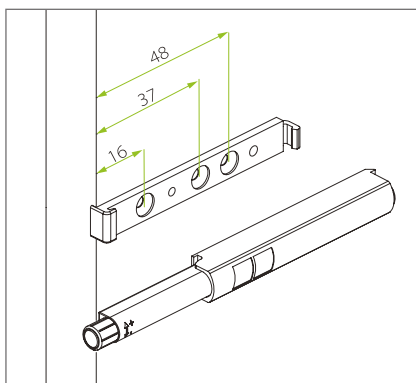
► FGV OneTouch push-to-open device

- A touch of elegance for handleless doors
- Long version for application with standard hinges
- Linear mounting plate
- Activation push of 40mm
- +4mm adjustment
- Without magnet, plate not required

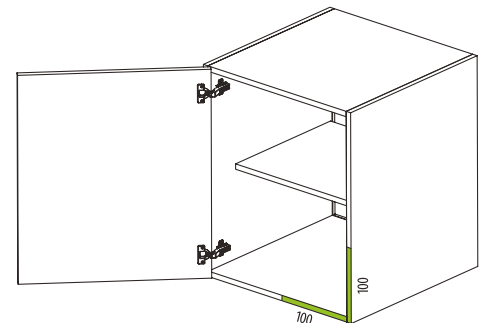
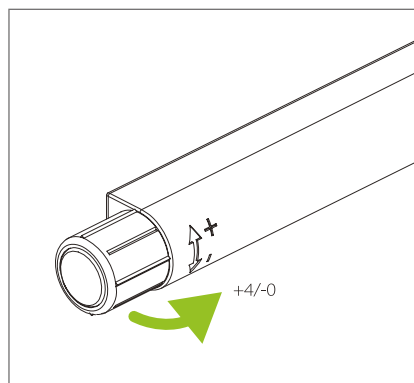


Code	Description
FGV.PTO.40.LMP	Set of OneTouch device 40mm, linear mounting plate included

Installation Dimensions



Adjustment



Installation instructions:

The OneTouch device for handleless doors is best mounted in the corresponding area of the handle i.e. inside 100mm of the bottom corner opposite of the hinges.

CONCEALED HINGE SYSTEMS

FGV HINGE SYSTEMS



► FGV Limited Lifetime Warranty

All FGV products are engineered and produced in compliance with ISO 9001 and ISO 14001 principles. To grant a steady quality level, and a proper furniture functioning throughout its lifetime, up to 15 years, FGV products are tested in their internal Quality Department and submitted for further testing to external independent international testing organizations.

FGV will replace any defective product in case the original purchaser is in possession of the furniture, the product has been properly installed according to the manufacturer's specifications, used only in domestic circumstances, under normal working conditions and without any modification. FGV will replace any defective product with an identical one or reasonably equivalent. The free of charge replacement will be carried out against the presentation of a brief product failure report, the defective product itself, and a copy of the proof of purchase, within 30 days of the product failure occurring.

To the fullest extent permitted by law, all other claims are excluded, including shipping expenses, labour costs related to the removal of the defective product, installation of the replacement and any other additional charge. All services are provided without acknowledgment of any legal responsibility, they are subject to changes without prior notice, and subjected to the standard terms of supply.

CONCEALED HINGE SYSTEMS

HELIOS HINGE SYSTEM

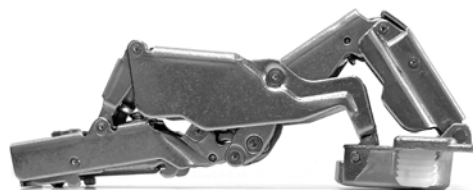


FUNCTIONAL
RELIABLE
NO WORRIES

HELIOS Hinge System is designed to cover the everyday requirements of cabinet makers and furniture manufacturers.

The comprehensive hinge system offers smooth movement, even under load. With a clip-on design, it is easy to install and meets all the requirements for standard applications.

Backed by 80,000 life cycle and 48 hour salt spray tests, you can rest assured that attractive pricing doesn't come at the expense of quality and performance.



CONCEALED HINGE SYSTEMS

HELIOS HINGE SYSTEM

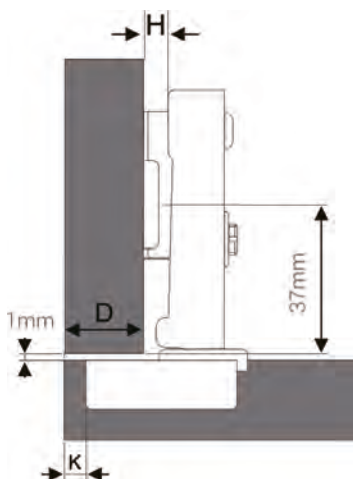
► HELIOS 105° HINGE



- Concealed hinge for clip-on installation
- Available as standard close or integrated soft-close
- Opening angle 105°
- For door thickness 15-22mm
- Cup diameter 35mm
- Cup depth 11.5mm
- Right & left adjustment +2.5mm/-2.5mm
- Depth adjustment via cam +3mm/-1mm
- Height adjustment via adjustable plate +2.0mm/-2.0mm

CRANK 0 / FULL OVERLAY	STANDARD CLOSE / SPRUNG		
	48MM / I - PATTERN	45MM / B - PATTERN	52MM / H - PATTERN
SCREW-FIX	HHS.48.105.STD.0.SF		
M10 KNOCK-IN	HHS.48.105.STD.0.KI		HHS.52.105.STD.0.KI
M8 KNOCK-IN		HHS.45.105.STD.0.KI	

CRANK 0 / FULL OVERLAY	SOFT - CLOSE		
	48MM / I - PATTERN	45MM / B - PATTERN	52MM / H - PATTERN
SCREW-FIX	HHS.48.105.SCL.0.SF		
M10 KNOCK-IN	HHS.48.105.SCL.0.KI		HHS.52.105.SCL.0.KI
M8 KNOCK-IN		HHS.45.105.SCL.0.KI	



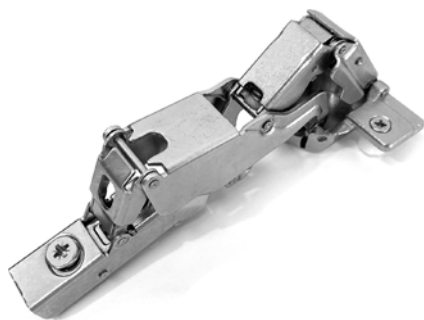
D K	CUP DISTANCE				
	3	4	5	6	7
21.0					0
20.0				0	
19.0			0		2
18.0		0		2	
17.0	0		2		
16.0		2			
15.0	2				

Mounting plate height

CONCEALED HINGE SYSTEMS

HELIOS HINGE SYSTEM

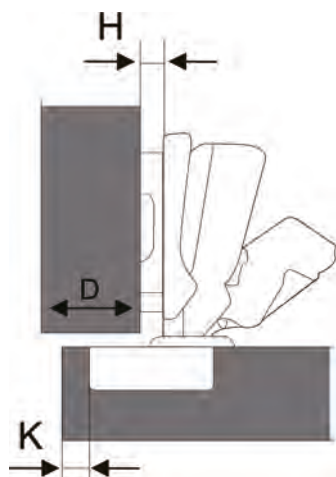
► HELIOS 165° CORNER HINGE



- Concealed corner or pantry door hinge for clip-on installation
- Available as standard close or integrated soft-close
- Opening angle 165°
- For door thickness 14-26mm
- Cup diameter 35mm
- Cup depth 11.5mm
- Right & left adjustment +2.5mm/-2.5mm
- Depth adjustment via cam +3mm/-1mm
- Height adjustment via adjustable plate +2.0mm/-2.0mm

CRANK 0 / FULL OVERLAY	STANDARD CLOSE / SPRUNG		
	48MM / I - PATTERN	45MM / B- PATTERN	52MM / H - PATTERN
M10 KNOCK-IN	HHS.48.165.STD.0.KI		

CRANK 0 / FULL OVERLAY	SOFT - CLOSE		
	48MM / I - PATTERN	45MM / B- PATTERN	52MM / H - PATTERN
M10 KNOCK-IN	HHS.48.165.SCL.0.KI		



D K	CUP DISTANCE				
	3	4	5	6	7
21.0					0
20.0				0	
19.0			0		2
18.0		0		2	
17.0	0		2		
16.0		2			
15.0	2				

Door overlay

Mounting plate height

CONCEALED HINGE SYSTEMS

HELIOS HINGE SYSTEM

► HELIOS MOUNTING PLATES

FIXED PLATE



PLATE	HEIGHT	
	H = 0	H = 2
SCREW-FIX	HHS.PLT.SCW.FX.H0	HHS.PLT.SCW.FX.H2
PME / PREMOUNTED EURO SCREW	HHS.PLT.PME.FX.H0	HHS.PLT.PME.FX.H2

CAM ADJUSTABLE PLATE

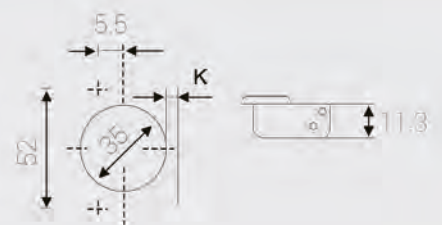
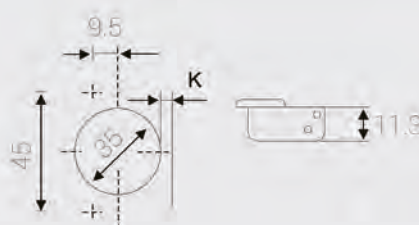
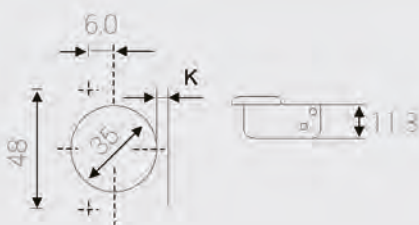


PLATE	HEIGHT	
	H = 0	H = 2
SCREW-FIX	HHS.PLT.SCW.CAM.H0	HHS.PLT.SCW.CAM.H2
PME / PREMOUNTED EURO SCREW	HHS.PLT.PME.CAM.H0	HHS.PLT.PME.CAM.H2

48mm / I-pattern

45mm / B-pattern

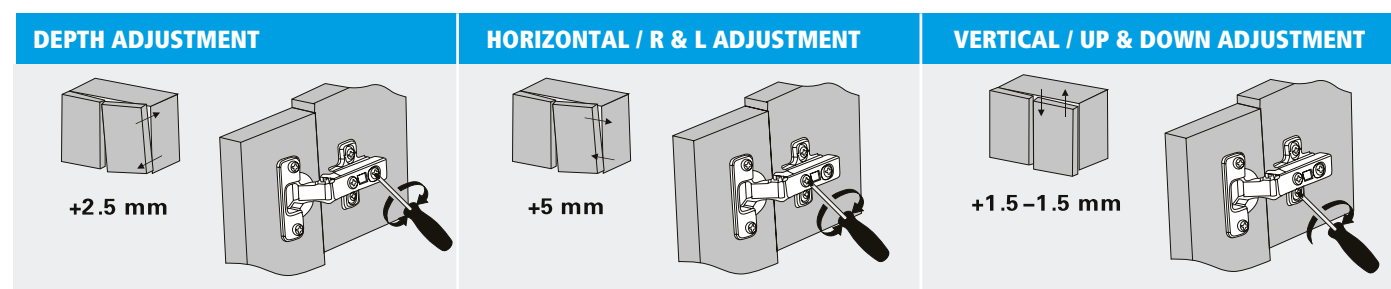
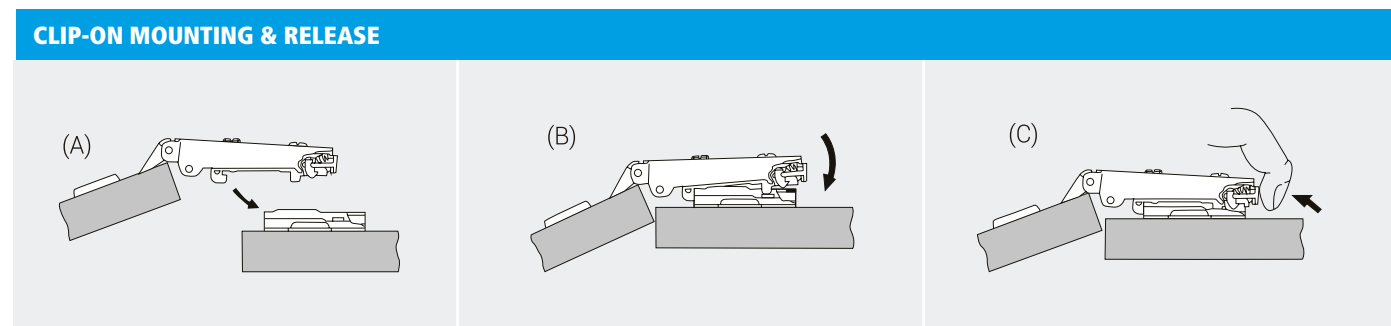
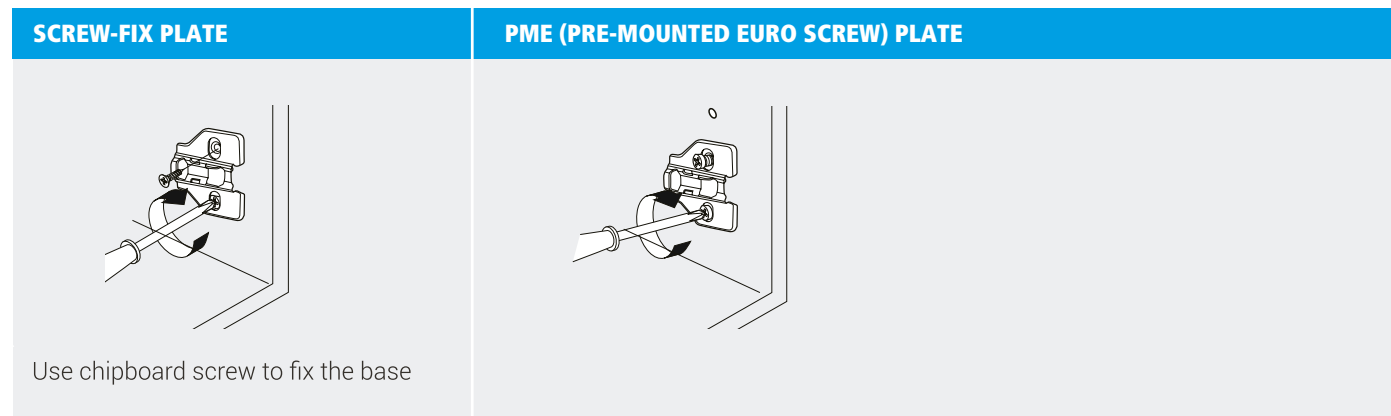
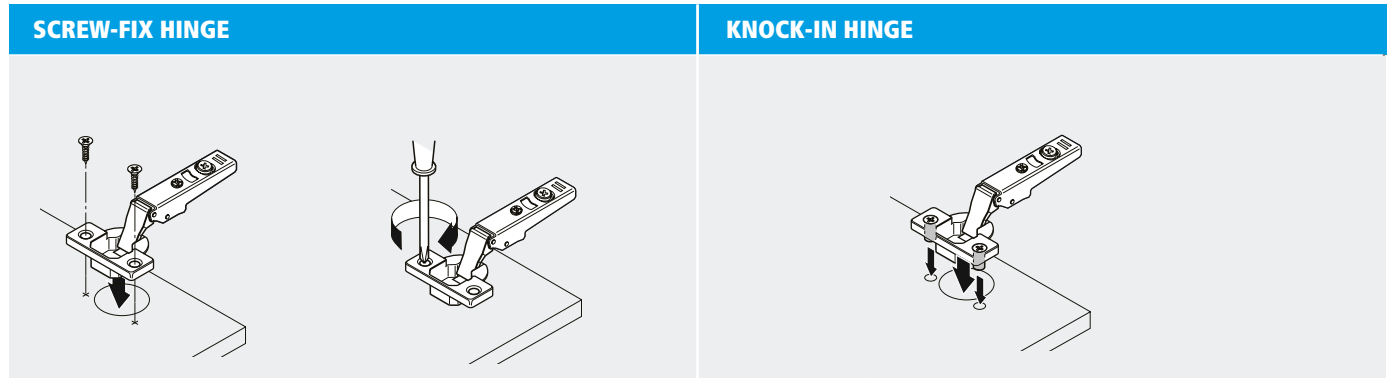
52mm / H-pattern



CONCEALED HINGE SYSTEMS

HELIOS HINGE SYSTEM

► HELIOS ASSEMBLY



WITH CAM ADJUSTABLE PLATE ONLY