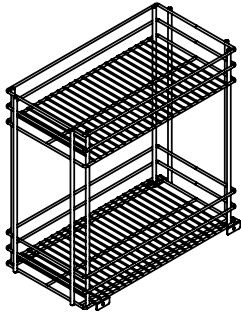
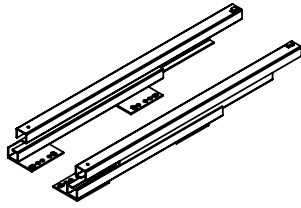


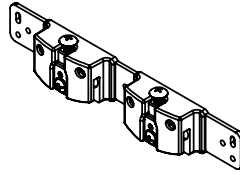
**Components**



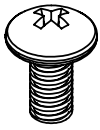
A 1 pc



B 1 set



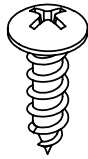
C 2 pcs



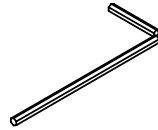
M4\*8  
D 2 pcs



M5\*18  
E 4 pcs

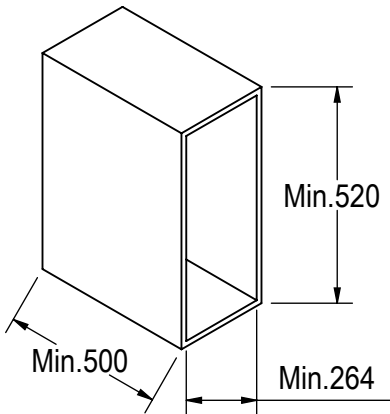


ST4\*14  
F 24 pcs



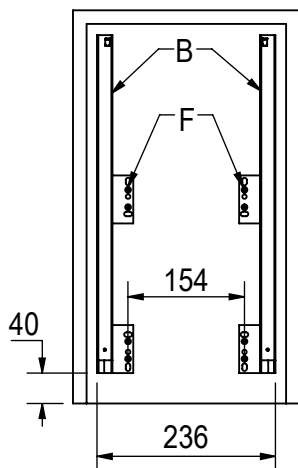
G 1 pc

**Cabinet size (mm)**

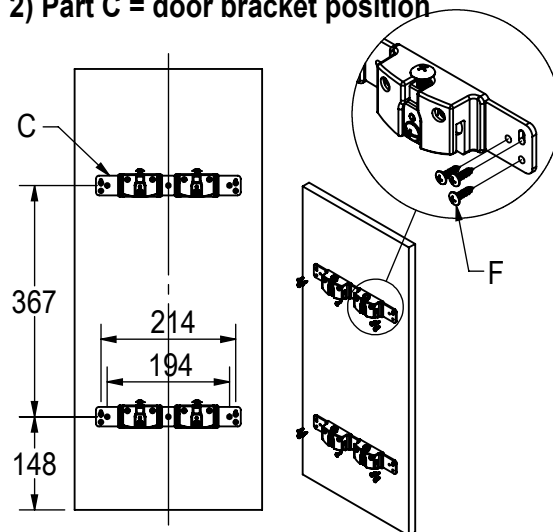


**Installation**

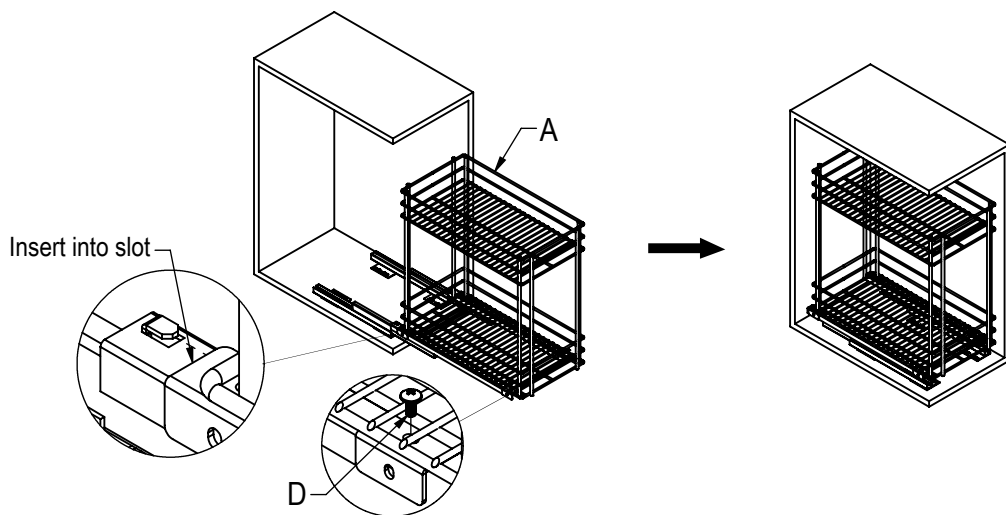
1) Part B = slide position



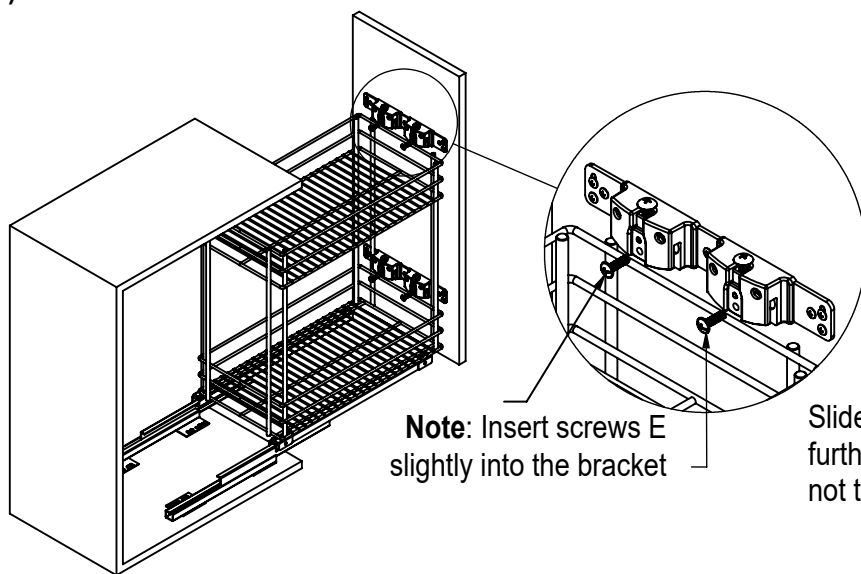
2) Part C = door bracket position



### 3) Locking basket assembly A into place with screws D



### 4) 3D door bracket installation

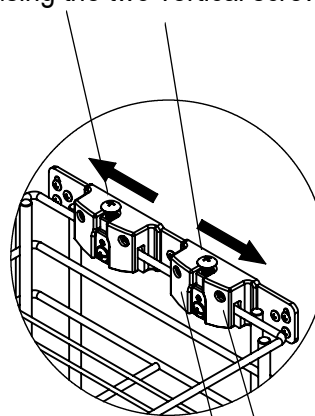


Slide basket onto the bracket, drive screws E further to hold basket loosely in position. Do not tighten.

### 5) 3D door bracket adjustment

**Step 1:** Adjust the basket position up or down by using the two vertical screws.

**Step 2:** Move bracket left and right



**Step 3:** Adjust the two little screws for the door's vertical alignment (x2)

**Step 4:** Lock in basket by tightening screws E

