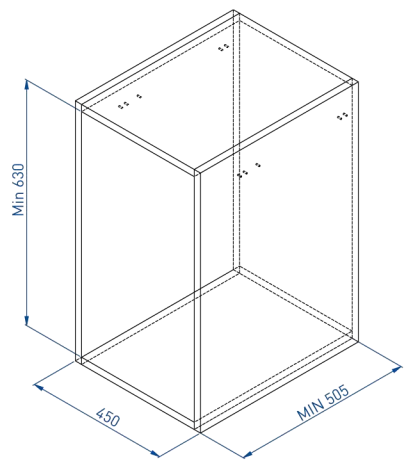
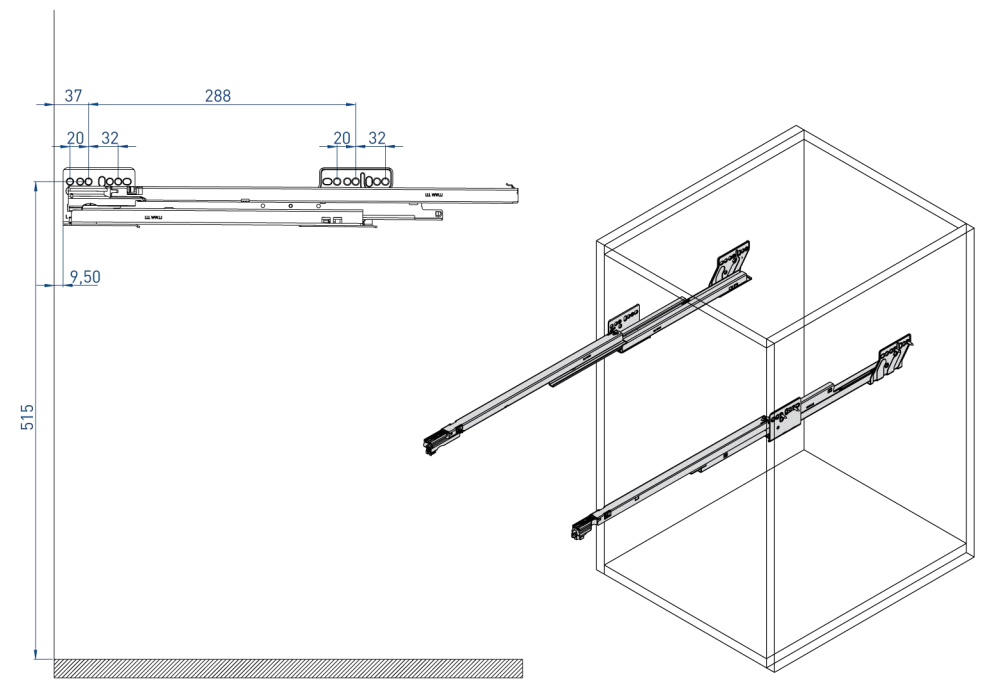


Place slides F respecting showed data and screw them on the cabinet's sides, using 4x16 screws.



- Parts**
- A. Frame
 - B. Bin 53 Lt
 - C. Door bracket
 - D. Metal Bracket
 - E. Cap
 - F. Slides
 - G. Cover
- Tools**
- 
 - 
 - 
- Fittings**
- N°8 Self-tapping screws 4x16 mm
 - N°12 Cap Screws 4x13mm
 - N°2 M5x8 mm
 - N°4 M4x5 mm
 - N°2 M6x10 mm

Product

- Laundry Bin 53 L
- Solid base pull-out basket with full extension slides and soft closing.

Art 590
Grass slides

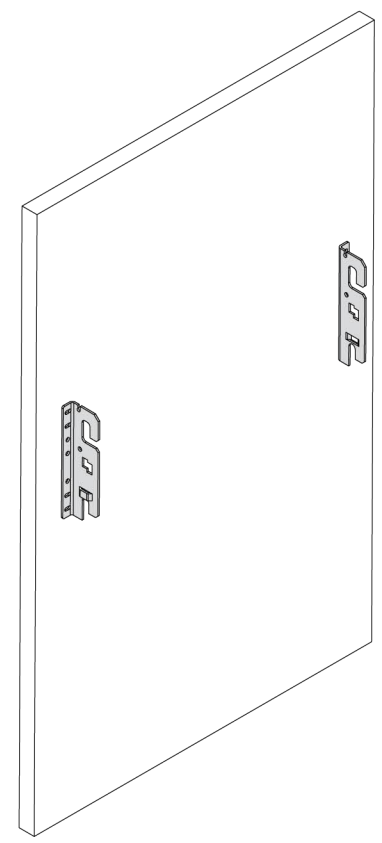
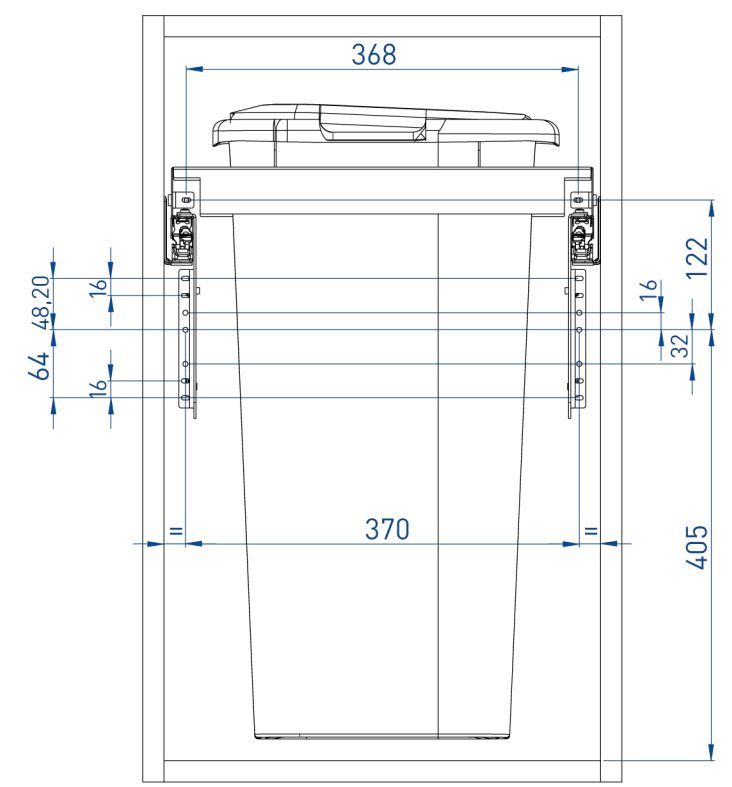


FoISt00030
Rev. 01.2014
Made in Italy

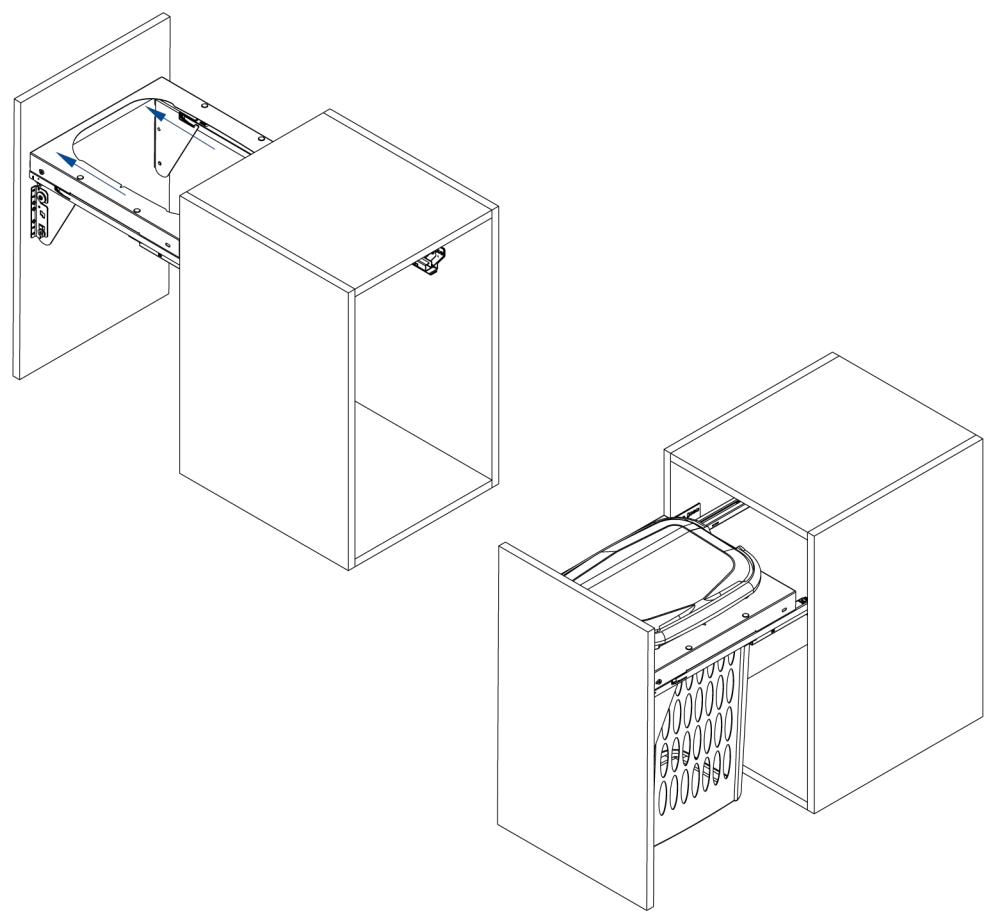


Per info riguardo il montaggio rivolgersi alla SIGE Spa
videoguid

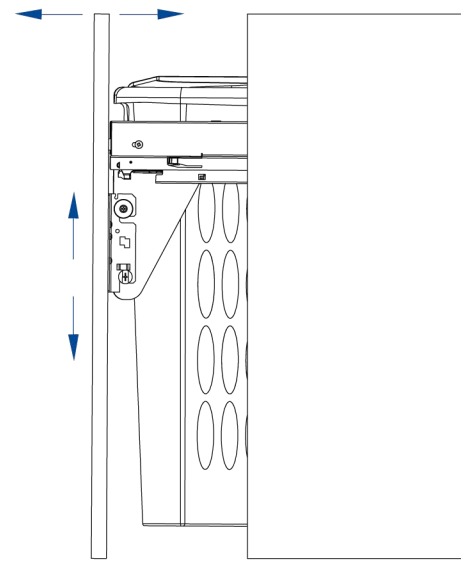
Screw C brackets on the door respecting showed data, using 4X13 screws.



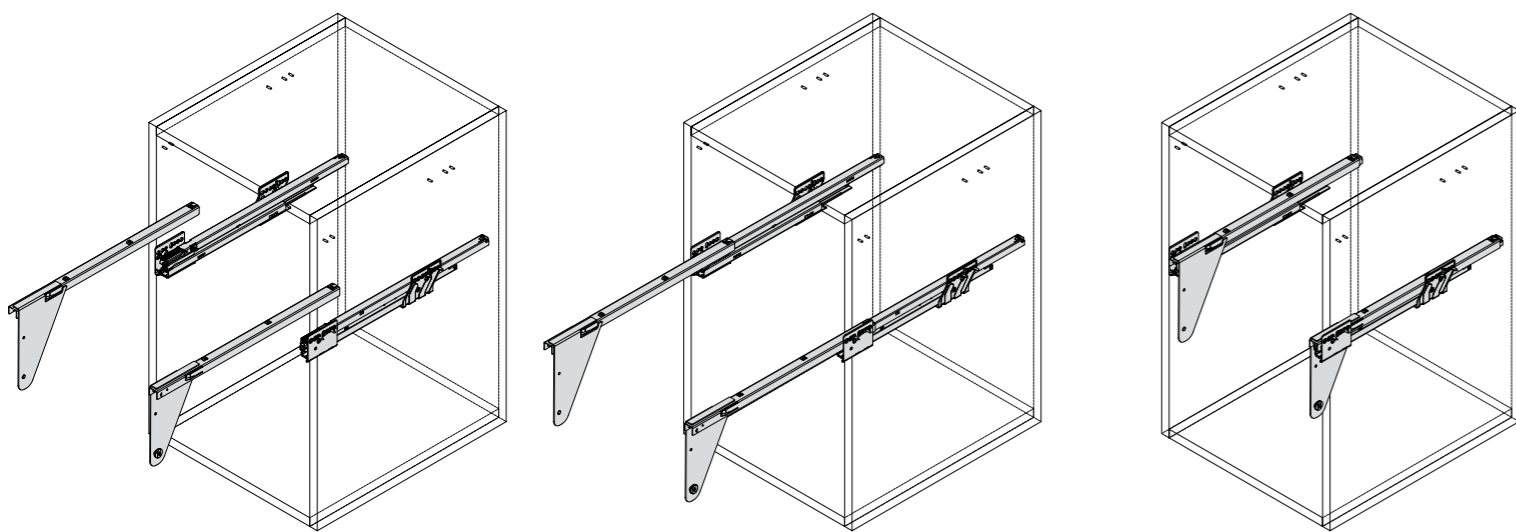
Fixing brackets D on the door, using 4X13 screws.



Make adjustments.

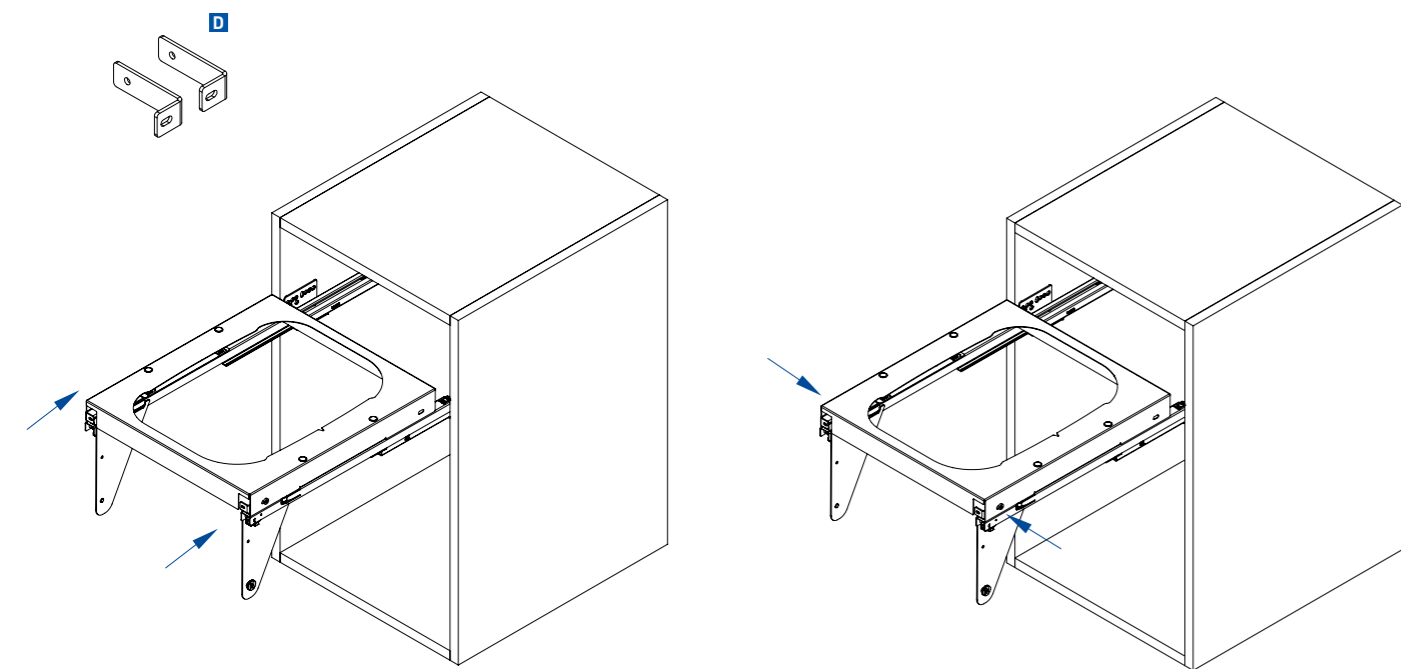


Fix the cover G in the slides F.



N°2 M 5x8

Fixing D brackets in A frame using M5x8 screws

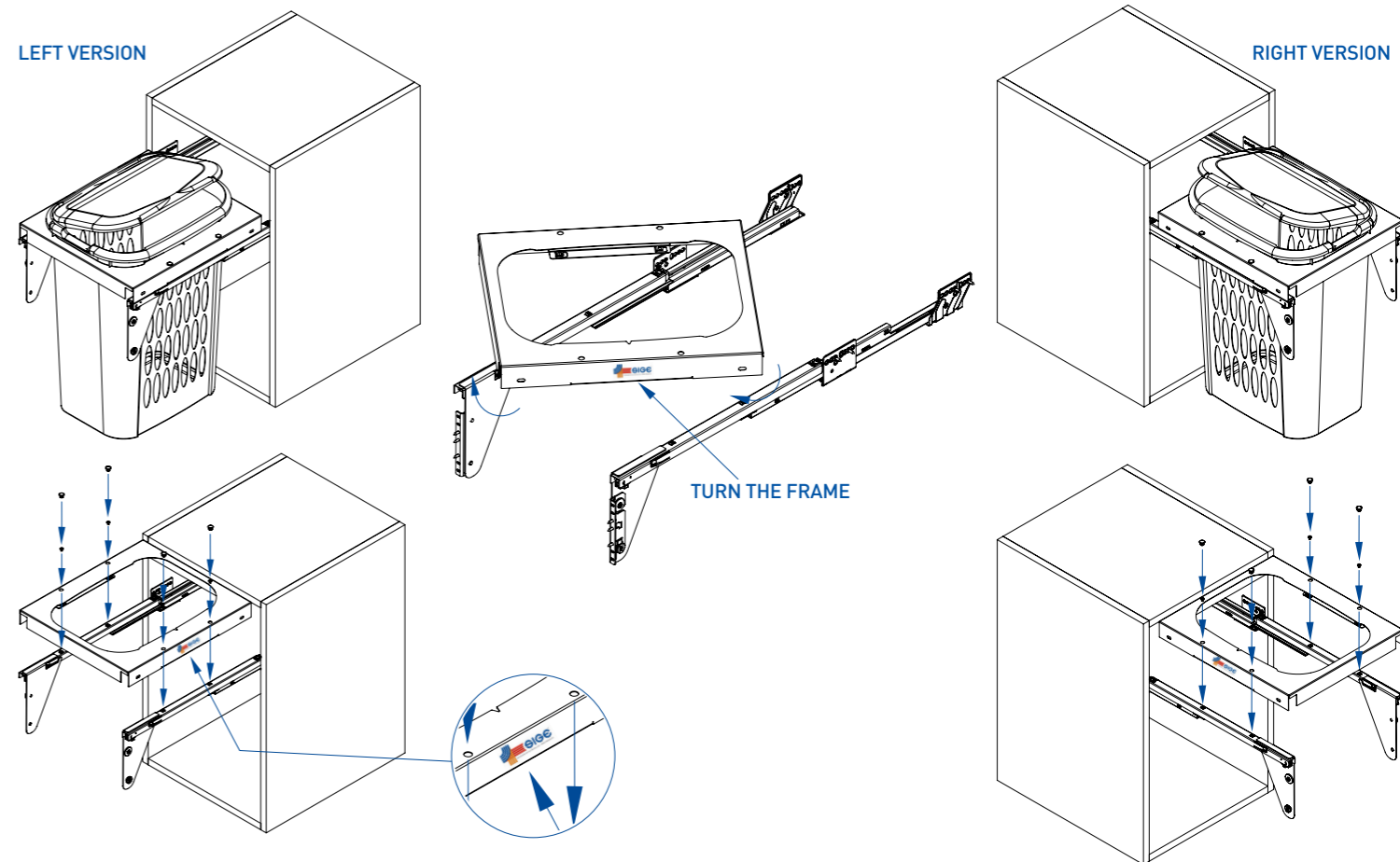


Right version

Choose the version, assembly the frame A using M4x5 screws and put n°4 plastic cap E in the holes.

LEFT VERSION

RIGHT VERSION



N°2 M6x10

Fixing door on the cover G.

